

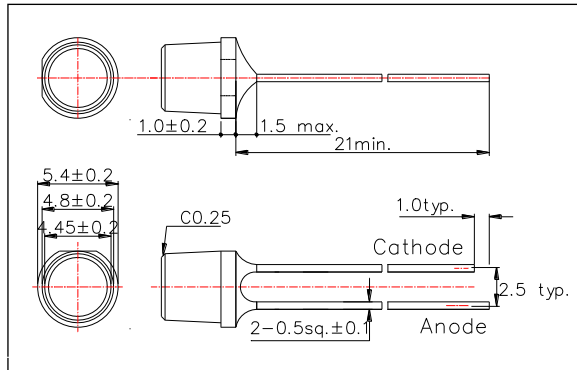
L450-05 Super Bright Blue LED

L450-05 is an InGaN LED mounted on a lead frame with a clear epoxy lens. On forward bias, it emits a band of visible light that peaks 450nm.

<Specifications>

1. Product Name: Blue LED Lamp
2. Type Number: L450-05
3. Chip:
 - Chip material: InGaN
 - Peak Wavelength: 450nm typ.
4. Package
 - Type: Φ5mm clear molding
 - Resin Material: Epoxy Resin
 - Lead Frame: Soldered(Lead Free)

Outer Dimension (Unit:mm)



Absolute Maximum Ratings				
Item	Symbol	Maximum Rated Value	Unit	Ambient Temp.
Power Dissipation	PD	200	mW	Ta=25°C
Forward Current	IF	50	mA	Ta=25°C
Reverse Voltage	VR	5	V	Ta=25°C
Operating Temperature	TOPR	-30 ~ +85	°C	
Storage Temperature	TSTG	-40 ~ +100	°C	
Soldering Temperature*	TSOL	265	°C	

* Soldering condition must be completed within 3 second at 265 °C.

Electro-Optical Characteristics						
Item	Symbol	Condition	Minimum	Typical	Maximum	Unit
Forward Voltage	VF	IF=20mA		3.4	4.0	V
Reverse Current	IR	VR=5V			10	uA
Radiated Power*	PO	IF=20mA		18		mW
Radiant Intensity	IE	IF=20mA		5		mW/sr
Brightness**	IV	IF=20mA		480		mcd
Peak Wavelength	λP	IF=20mA	440	450	460	nm
Half Width	Δλ	IF=20mA		20		nm
Viewing Half Angle	θ1/2	IF=20mA		±30		deg

* Measured by S3584-08

** Measured by Tektronix J-16

