

## L565-01U

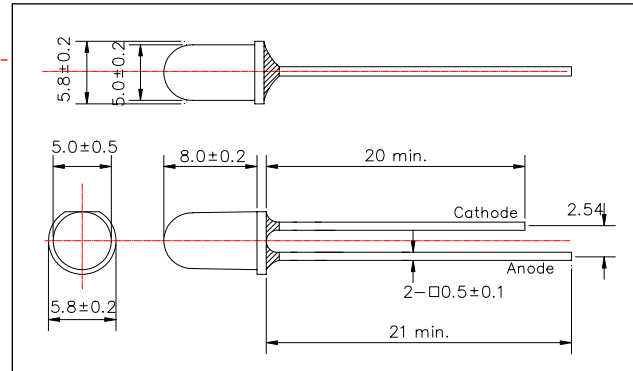
### High Bright Green LED Lamp

L565-01U is an GaP LED mounted on a lead frame with a clear epoxy resin. On forward bias, it emits a band of visible light that peaks 565nm.

<Specifications>

1. Product Name: High Bright Green LED
2. Type Number: L565-01U
3. Chip:
  - Chip material: GaP
  - Peak Wavelength: 565nm typ.
4. Package
  - Type: Φ5mm Clear Molding
  - Resin Material: Epoxy Resin
  - Lead Frame: Soldered(Lead Free)

Outer Dimension (Unit:mm)



Absolute Maximum Ratings				
Item	Symbol	Maximum Rated Value	Unit	Ambient Temp.
Power Dissipation	PD	130	mW	Ta=25°C
Forward Current	IF	50	mA	Ta=25°C
Reverse Voltage	VR	5	V	Ta=25°C
Operating Temperature	TOPR	-30 ~ +85	°C	
Storage Temperature	TSTG	-30 ~ +100	°C	
Soldering Temperature*	TSOL	260	°C	

\* Soldering condition must be completed within 3 second at 260 °C.

Electro-Optical Characteristics [Ta=25°C]						
Item	Symbol	Condition	Minimum	Typical	Maximum	Unit
Forward Voltage	VF	IF=20mA		2.2	2.4	V
Reverse Current	IR	VR=20mA			10	uA
Total Radiated Power*	PO	IF=20mA		0.2		mW
Brightness**	IV	IF=20mA	300	600		mcd
Peak Wavelength	λP	IF=20mA	560	565	570	nm
Half Width	Δλ	IF=20mA		25		nm
Viewing Half Angle	θ1/2	IF=20mA		±10		deg

\* Measured by Ando Optical Multi Meter AQ2140&AQ2741

\*\* Measured by Tektronix J-16

