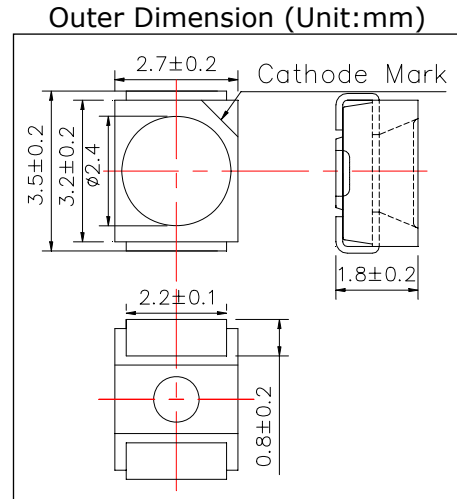


SMT405
Violet TOP LED

SMT405 consists of an InGaN LEDs mounted on the lead frame as TOP LED package and is sealed with epoxy resin. It emits a spectral band of radiation at 405nm.

<Specifications>

1. Product Name: TOP LED
2. Type Number: SMT405
3. Chip:
 - Chip Material: InGaN
 - Peak Wavelength: 405nm
4. Package
 - Lead Frame Die: Silver Plated
 - Package Resin: PPA Resin
 - Lens: Epoxy Resin



Absolute Maximum Ratings				
Item	Symbol	Maximum Rated Value	Unit	Ambient Temperature
Power Dissipation	PD	120	mW	Ta=25°C
Forward Current	IF	30	mA	Ta=25°C
Reverse Voltage	VR	5	V	Ta=25°C
Operating Temperature	TOPR	-20 ~ +80	°C	
Storage Temperature	TSTG	-30 ~ +80	°C	
Soldering Temperature*	TSOL	240	°C	

* Soldering condition must be completed within 3 second at 230 °C.

Electro-Optical Characteristics [Ta=25°C typ.]						
Item	Symbol	Condition	Minimum	Typical	Maximum	Unit
Forward Voltage	VF	IF=20mA		3.8	4.8	V
Reverse Current	IR	VR=5V			10	uA
Total Radiated Power*	PO	IF=20mA		2		mW
Brightness**	IV	IF=20mA		3		mcd
Peak Wavelength	λP	IF=20mA	395	405	415	nm
Half Width	Δλ	IF=20mA		15		nm
Viewing Half Angle	θ1/2	IF=20mA		±55		deg

* Measured by Photodyne #500

** Measured by Tektronix J-16

