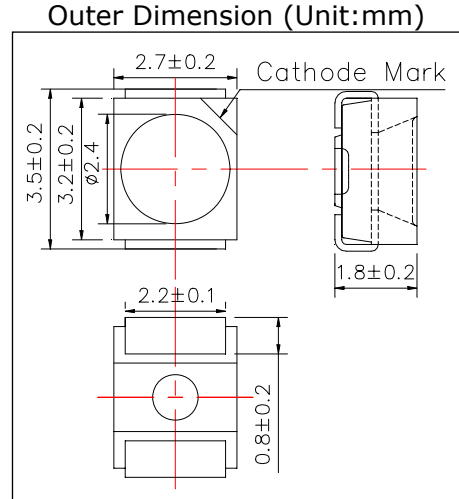


SMT405R
UV TOP LED with UV Resistant Resin

SMT405R consists of an InGaN LEDs mounted on the lead frame as TOP LED package and is sealed with UV resistant resin. It emits a spectral band of radiation at 405nm.

<Specifications>

1. Product Name: TOP LED
2. Type Number: SMT405R
3. Chip:
 - Chip Material: InGaN
 - Peak Wavelength: 405nm
4. Package
 - Lead Frame Die: Silver Plated
 - Package Resin: PPA Resin
 - Lens: UV Resistant Resin



Absolute Maximum Ratings				
Item	Symbol	Maximum Rated Value	Unit	Ambient Temperature
Power Dissipation	PD	180	mW	Ta=25°C
Forward Current	IF	50	mA	Ta=25°C
Reverse Voltage	VR	5	V	Ta=25°C
Operating Temperature	TOPR	-20 ~ +80	°C	
Storage Temperature	TSTG	-30 ~ +80	°C	
Soldering Temperature*	TSOL	255	°C	

* Soldering condition must be completed within 10 second at 255°C.

Electro-Optical Characteristics [Ta=25°C typ.]						
Item	Symbol	Condition	Minimum	Typical	Maximum	Unit
Forward Voltage	VF	IF=20mA		3.5	4.0	V
Reverse Current	IR	VR=5V			10	uA
Total Radiated Power*	PO	IF=20mA	6.0	12.5		mW
Brightness**	IV	IF=20mA		10		mcd
Peak Wavelength	λP	IF=20mA	395	405	415	nm
Half Width	Δλ	IF=20mA		15		nm
Viewing Half Angle	θ1/2	IF=20mA		±55		deg

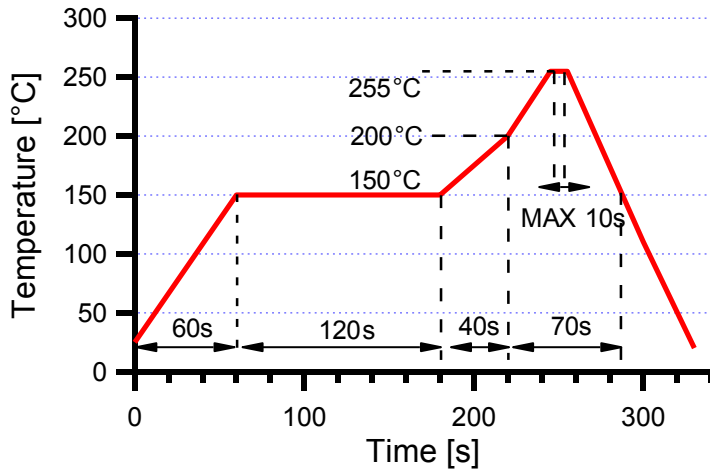
* Measured by S3584-08

** Measured by Tektronix J-16

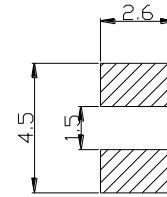


SMD Application

IR-Reflow Soldering Profile for lead free soldering



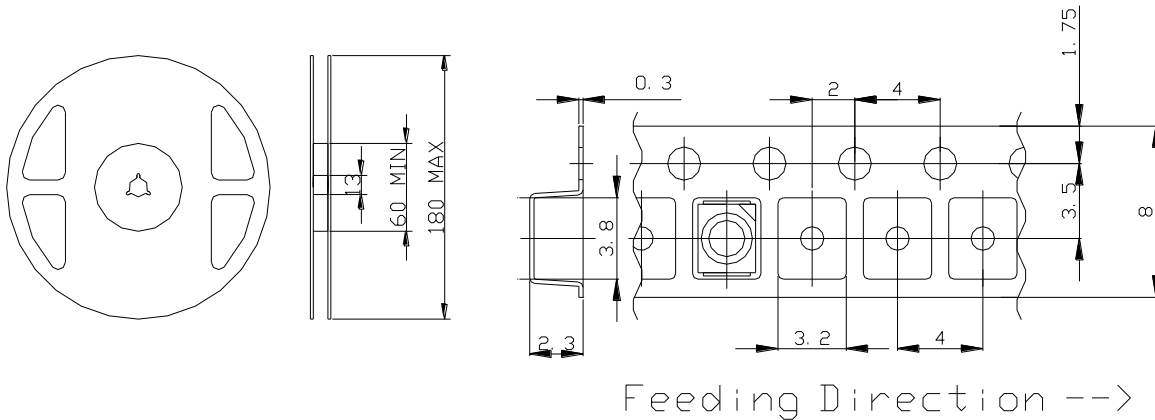
Recommended Land Layout (Unit: mm)



Don't put stress on SMD and a circuit board after soldering.

SMD Packing

Tape and Reel Dimensions (Unit: mm)



Wrapping

Moisture barrier bag aluminum laminated film with a desiccant to keep out the moisture absorption during the transportation and storage.