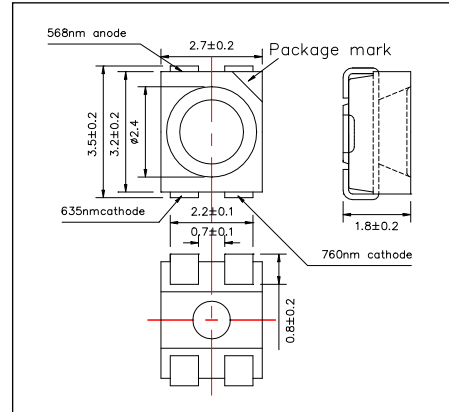


**SMT430/505/568**  
Tri-Color TOP LED

SMT430/505/568 consists of an InGaN and AlGaInP LEDs mounted on the lead frame as TOP LED package and is sealed with epoxy resin. It emits a spectral band of radiation at 430, 505 and 568nm.

Outer Dimension (Unit:mm)



<Specifications>

1. Product Name: Tri-Color TOP LED
2. Type Number: SMT430/505/568
3. Chip:
  - Chip Material: InGaN, AlGaInP
  - Peak Wavelength: 430,505,568nm
4. Package
  - Lead Frame Die: Silver Plated
  - Package Resin: PPA Resin
  - Lens: Epoxy Resin

Absolute Maximum Ratings [Ta=25°C]					
Item	Symbol	Maximum Rated Value			Unit
		430nm	505nm	568nm	
Power Dissipation	PD	125			mW
Forward Current	IF	30			mA
Reverse Voltage	VR	5			V
Operating Temperature	TOPR	-20 ~ +80			°C
Storage Temperature	TSTG	-30 ~ +80			°C
Soldering Temperature*	TSOL	240			°C

\* Soldering condition must be completed within 3 second at 230 °C.

Electro-Optical Characteristics [Ta=25°C ]												
Item	Symbol	Condition	Minimum			Typical			Maximum			Unit
			430	505	568	430	505	568	430	505	568	
Forward Voltage	VF	IF=20mA				3.8	3.5	2.0	4.3	4.3	2.3	V
Reverse Current	IR	VR=5V							10			uA
Total Radiated Power*	PO	IF=20mA				0.3	1.0	0.3				mW
Radiant Intensity	IE	IF=20mA										mcd
Peak wavelength	λP	IF=20mA				430	505	565				nm
Half Width	Δλ	IF=20mA				50	40	15				nm
Viewing Half Angle	θ1/2	IF=20mA				±55						deg

\* Measured by Photodyne #500

