

SMT505

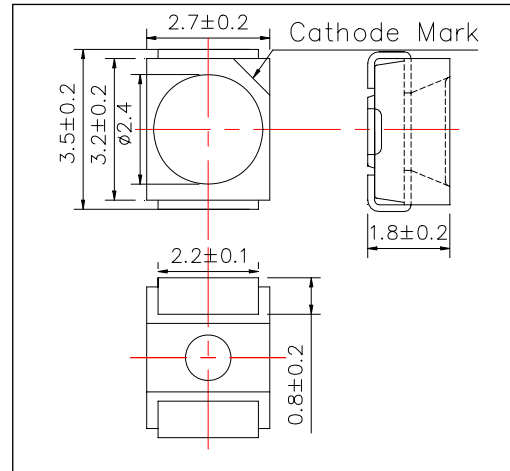
High Bright Blueish Green Color TOP LED

SMT505 consists of an InGaN LEDs mounted on the lead frame as TOP LED package and is 100mcd typical of Brightness. It emits a spectral band of radiation at 505nm.

<Specifications>

1. Product Name: TOP LED
2. Type Number: SMT505
3. Chip:
 - Chip Material: InGaN
 - Peak Wavelength: 505nm
4. Package
 - Lead Frame Die: Silver Plated
 - Package Resin: PPA Resin
 - Lens: Epoxy Resin

Outer Dimension (Unit:mm)



Absolute Maximum Ratings				
Item	Symbol	Maximum Rated Value	Unit	Ambient Temperature
Power Dissipation	PD	120	mW	Ta=25°C
Forward Current	IF	30	mA	Ta=25°C
Reverse Voltage	VR	5	V	Ta=25°C
Operating Temperature	TOPR	-20 ~ +80	°C	
Storage Temperature	TSTG	-30 ~ +80	°C	
Soldering Temperature*	TSOL	240	°C	

* Soldering condition must be completed within 3 second at 230 °C.

Electro-Optical Characteristics [Ta=25°C]						
Item	Symbol	Condition	Minimum	Typical	Maximum	Unit
Forward Voltage	VF	IF=20mA		3.5	4.3	V
Reverse Current	IR	VR=5V			10	uA
Radiated Power*	PO	IF=20mA		1.0		mW
Radiant Intensity	IE	IF=20mA		0.3		mW/sr
Brightness**	IV	IF=20mA		100		mcd
Peak Wavelength	λP	IF=20mA	495	505	515	nm
Half Width	Δλ	IF=20mA		30		nm
Viewing Half Angle	θ1/2	IF=20mA		± 55		deg

* Measured by Photodyne #500

** Measured by Tektronix J-16

