

**SMT569**

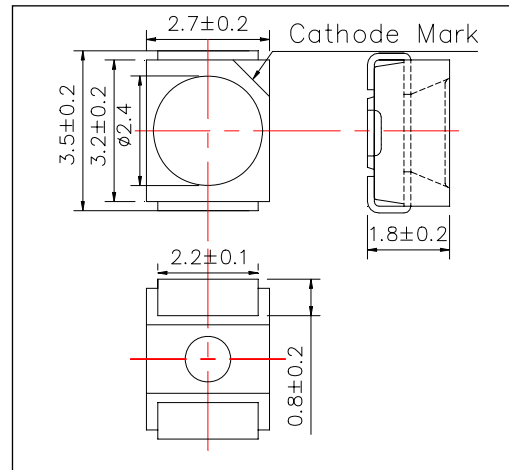
High Performance Yellow Green Color TOP LED

SMT569 consists of an AlGaInP LED mounted on the lead frame as TOP LED package and is 60mcd of brightness. It emits a spectral band of radiation at 570nm.

<Specifications>

1. Product Name: TOP LED
2. Type Number: SMT569
3. Chip:
  - Chip Material: AlGaInP
  - Peak Wavelength: 570nm
4. Package
  - Lead Frame Die: Silver Plated
  - Package Resin: PPA Resin
  - Lens: Epoxy Resin

Outer Dimension (Unit:mm)



Absolute Maximum Ratings				
Item	Symbol	Maximum Rated Value	Unit	Ambient Temperature
Power Dissipation	PD	60	mW	Ta=25°C
Forward Current	IF	30	mA	Ta=25°C
Reverse Voltage	VR	5	V	Ta=25°C
Operating Temperature	TOPR	-20 ~ +80	°C	
Storage Temperature	TSTG	-30 ~ +80	°C	
Soldering Temperature*	TSOL	240	°C	

\* Soldering condition must be completed within 3 second at 230°C.

Electro-Optical Characteristics [Ta=25°C typ.]						
Item	Symbol	Condition	Minimum	Typical	Maximum	Unit
Forward Voltage	VF	IF=20mA		1.95	2.20	V
Reverse Current	IR	VR=5V			10	uA
Total Radiated Power*	PO	IF=20mA		0.3		mW
Brightness**	IV	IF=20mA		60		mcd
Peak Wavelength	λP	IF=20mA	560	570	580	nm
Half Width	Δλ	IF=20mA		15		nm
Viewing Half Angle	θ1/2	IF=20mA		±55		deg

\* Measured by Photodyne #500

\*\* Measured by Tektronix J-16

