

**SMT660N-25**

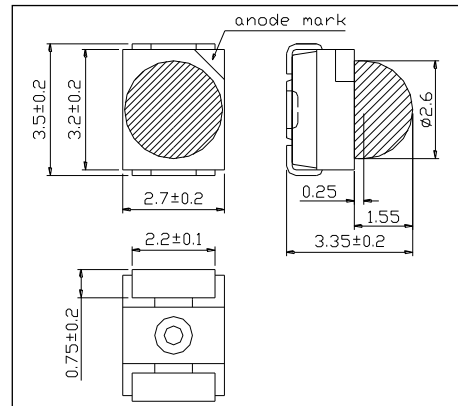
High Performance Red Color TOP LED with Lens

SMT660N-25 consists of an AlGaInP LED mounted on the lead frame as TOP LED package. It is 32mW typical of output power and 1950mcd of Brightness. It emits a spectral band of radiation at 660nm.

<Specifications>

1. Product Name: TOP LED
2. Type Number: SMT660N-25
3. Chip:
  - Chip Material: AlGaInP
  - Dimension: 0.35mm x 0.35mm
  - Peak Wavelength: 660nm
4. Package
  - Lead Frame Die: Silver Plated
  - Package Resin: PPA Resin
  - Lens: Epoxy Resin

Outer Dimension (Unit:mm)



Absolute Maximum Ratings[Ta=25°C]			
Item	Symbol	Maximum Rated Value	Unit
Power Dissipation	PD	120	mW
Pulse Forward Current*	IF	50	mA
Reverse Voltage	VR	5	V
Operating Temperature	TOPR	-20 ~ +80	°C
Storage Temperature	TSTG	-30 ~ +80	°C
Soldering Temperature**	TSOL	255	°C

\* Duty=1% and Pulse Width=10us.

\*\* Soldering condition must be completed within 10 second at 255°C.

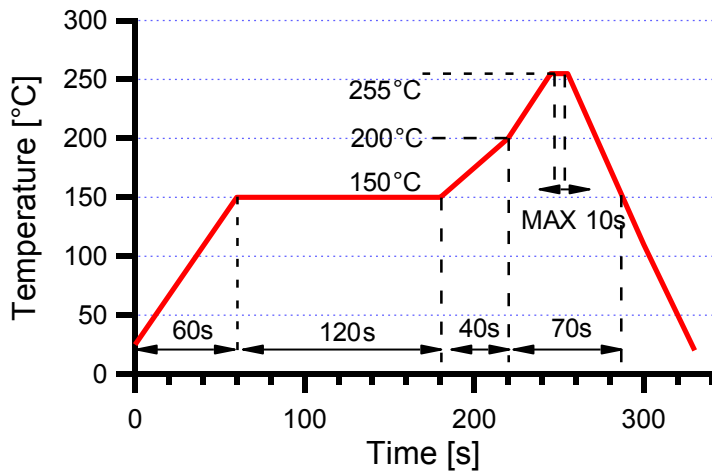
Electro-Optical Characteristics [Ta=25°C]						
Item	Symbol	Condition	Minimum	Typical	Maximum	Unit
Forward Voltage	VF	IF=20mA		2.0	2.2	V
	VFP	IF=50mA		2.2	2.4	
Total Radiated Power*	PO	IF=20mA	9	12		mW
		IF=50mA		32		
Radiant Intensity**	IE	IF=20mA		11		mW/sr
		IF=50mA		30		
Brightness	IV	IF=20mA		780		mcd
		IF=50mA		1950		
Peak Wavelength	λP	IF=50mA	650	660	660	nm
Half Width	Δλ	IF=50mA		16		nm
Viewing Half Angle	θ1/2	IF=50mA		±26		deg

\* Measured by Photodyne #500

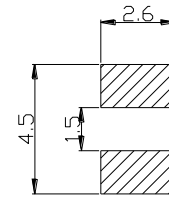
\*\* Measured by Tektronix J-6512



◆ SMD Application  
IR-Reflow Soldering Profile for lead free soldering

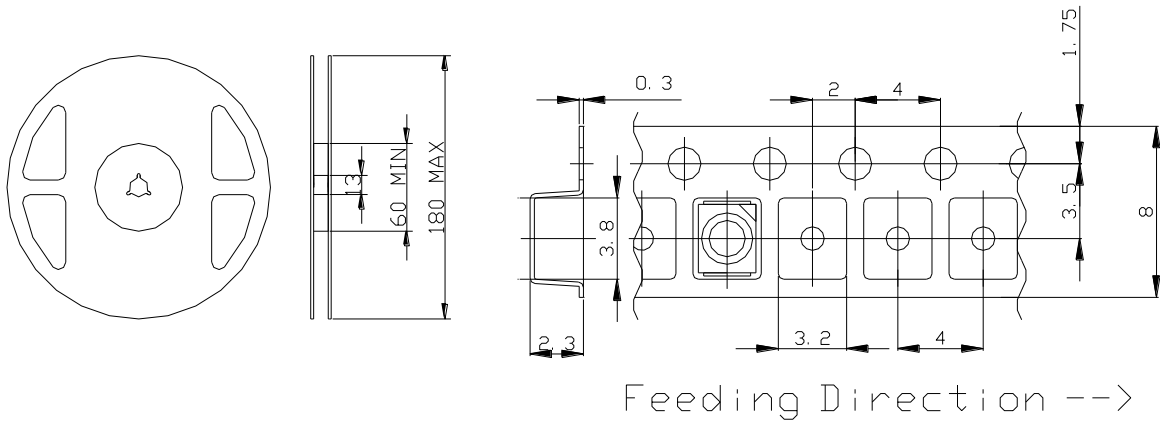


Recommended Land Layout (Unit: mm)



Don't put stress on SMD and a circuit board after soldering.

◆ SMD Packing  
Tape and Reel Dimensions (Unit: mm)



◆ Wrapping  
Moisture barrier bag aluminum laminated film with a desiccant to keep out the moisture absorption during the transportation and storage.

## SMD LED STORAGE AND HANDLING PRECAUTIONS

### <Storage Conditions before Opening a Moisture-Barrier Aluminum Bag>

- Before opening a moisture-barrier aluminum bag, please store it at <30°C, <60%RH. Please note that the maximum shelf life is 12 months under these conditions.

### <Storage Conditions after Opening a Moisture-Barrier Aluminum Bag>

- After opening a moisture-barrier aluminum bag, store the aluminum bag and silica gel in a desiccator.
- After opening the bag, please solder the LEDs within 48 hours in a room with 5 - 30°C, <50%RH.
- Please put any unused, remaining LEDs and silica gel back in the same aluminum bag and then vacuum-seal the bag.
- It is recommended to keep the re-sealed bag in a desiccator at <30%RH.

### <Notes about Re-sealing a Moisture-Barrier Aluminum Bag>

- When vacuum-sealing an opened aluminum bag, if you find the moisture-indicator of the silica gel has changed to pink from blue (indicating a relative humidity of 30 % or more), please do not use the unused LEDs, the aluminum bag, or the silica gel.

### <Notes about Opening a Re-sealed Moisture-Barrier Aluminum Bag>

- When opening a vacuumed and re-sealed aluminum bag in order to use the remaining LEDs stored in the bag, if you find that the moisture-indicator of the silica has changed to pink, please do not use the LEDs.

※The 48-hour- long floor life does not include the time while LEDs are stored in the moisture-barrier aluminum bag.  
However, we strongly recommend to solder the LEDs as soon as possible after opening the aluminum bag.