

L395-30M32

Stem Type LED with Ball Lens

L395-30M32 is an InGaN LED mounted on TO-18 stem with ball glass lens, and designed for sensing devices.

On forward bias it emits a spectral band of radiation, which peaks at 395nm.

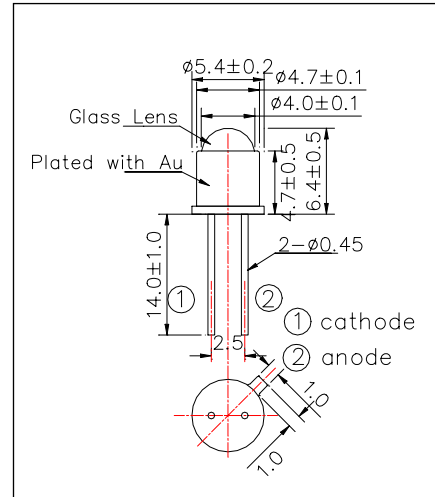
<Features>

- High Power
- High Reliability

<Specifications>

1. Product Name: LED Lamp
2. Type Number: L395-30M32
3. Chip:
 - Chip material: InGaN
 - Peak Wavelength: 395nm
4. Package
 - Stem: TO-18 Stem
 - Lens: Ball Glass Lens

Outer Dimension (Unit:mm)



Absolute Maximum Ratings				
Item	Symbol	Maximum Rated Value	Unit	Ambient Temperature
Power Dissipation	PD	120	mW	Ta=25°C
Forward Current	IF	30	mA	Ta=25°C
Pulse Forward Current*	IFP	100	mA	Ta=25°C
Reverse Voltage	VR	5	V	Ta=25°C
Operating Temperature	TOPR	-30 ~ +85	°C	
Storage Temperature	TSTG	-30 ~ +100	°C	
Soldering Temperature**	TSOL	260	°C	

* Duty=1% and Pulse Width=10μs

** Soldering condition must be completed within 3 seconds at 260°C

Electro-Optical Characteristics						
Item	Symbol	Condition	Minimum	Typical	Maximum	Unit
Forward Voltage	VF	IF=20mA		3.8	4.3	V
Reverse Current	IR	VR=5V			10	uA
Total Radiated Power*	PO	IF=20mA	0.2	0.6		mW
Brightness	IV	IF=20mA		30		mcd
Radiant Intensity**	IE	IF=20mA		12		mW/sr
Peak Wavelength	λP	IF=20mA	385	395	405	nm
Half Width	Δλ	IF=20mA		15		nm
Viewing Half Angle	θ1/2	IF=20mA		±10		deg

* Measured by Ando Optical Multi Meter AQ2740&AQ2741

** Measured by Tektronix J-6512

