

L525-30T52 Stem Type LED

L525-30T52 is an InGaN LED mounted on TO-18 stem and hermetically sealed with flat glass can.

On forward bias it emits a spectral band of radiation, which peaks at 525nm.

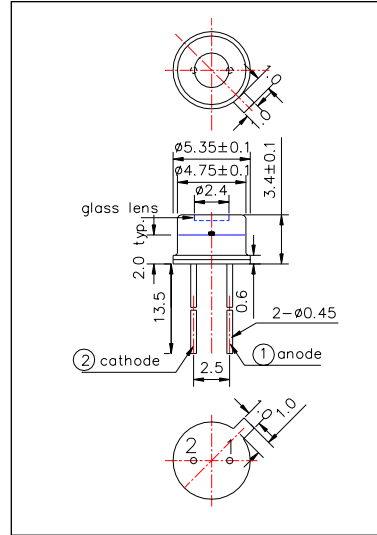
<Features>

- Wide Viewing Angle
- High Reliability
- High Power

<Specifications>

1. Product Name: LED Lamp
2. Type Number: L525-30T52
3. Chip:
 - Chip material: InGaN
 - Peak Wavelength: 525nm
4. Package
 - Type: TO-18 Stem
 - Lens: $\Phi 2.4$ Flat Glass Lens
 - Cap: Gold Plated

Outer Dimension (Unit:mm)



Absolute Maximum Ratings[Ta=25°C]			
Item	Symbol	Maximum Rated Value	Unit
Power Dissipation	PD	120	mW
Forward Current	IF	30	mA
Pulse Forward Current*	IFP	50	mA
Reverse Voltage	VR	5	V
Operating Temperature	TOPR	-30 ~ +85	°C
Storage Temperature	TSTG	-30 ~ +100	°C
Soldering Temperature**	TSOL	260	°C

* Duty=1% and Pulse Width=10 μ s

* Soldering condition must be completed within 3 seconds at 260°C

Electro-Optical Characteristics						
Item	Symbol	Condition	Minimum	Typical	Maximum	Unit
Forward Voltage	VF	IF=20mA		3.6	4.3	V
Reverse Current	IR	VR=5V			10	μ A
Total Radiated Power*	PO	IF=20mA	0.3	0.5		mW
Brightness	IV	IF=20mA		150		mcd
Radiant Intensity**	IE	IF=20mA		0.5		mW/sr
Peak Wavelength	λ P	IF=20mA	515	525	535	nm
Half Width	$\Delta\lambda$	IF=20mA		40		nm
Viewing Half Angle	θ 1/2	IF=20mA		± 55		deg

* Measured by Photodyne #500

** Measured by Tektronix J-6512

