

L660-35M32L High Beam Type LED

L660-35M32L is an AlGaAs LED mounted on TO-18 stem and hermetically sealed with glass ball lens can, is designed for high beam uses. On forward bias it emits a spectral band of radiation, which peaks at 660nm.

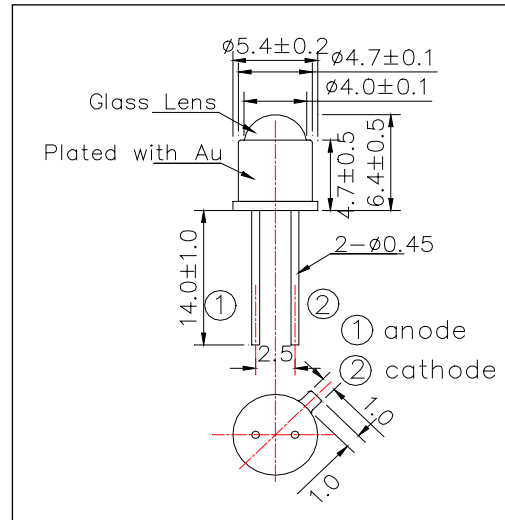
<Features>

- Narrow Viewing Angle
- High Reliability
- High Power

<Specifications>

1. Product Name: LED Lamp
2. Type Number: L660-35M32L
3. Chip:
 - Chip material: AlGaAs
 - Dimension: 350um x 350um
 - Peak Wavelength: 660nm
4. Package
 - Type: TO-18 Stem
 - Lens: Glass Ball Lens
 - Cap: Gold Plated

Outer Dimension (Unit:mm)



Absolute Maximum Ratings[Ta=25°C]			
Item	Symbol	Maximum Rated Value	Unit
Power Dissipation	PD	120	mW
Forward Current	IF	50	mA
Pulse Forward Current*	IFP	75	mA
Reverse Voltage	VR	5	V
Operating Temperature	TOPR	-30 ~ +85	°C
Storage Temperature	TSTG	-30 ~ +100	°C
Soldering Temperature**	TSOL	260	°C

* Duty=1% and Pulse Width=10μs

* Soldering condition must be completed within 3 seconds at 260°C

Electro-Optical Characteristics[Ta=25°C]						
Item	Symbol	Condition	Min.	Typ.	Max.	Unit
Forward Voltage	VF	IF=20mA		1.9	2.2	V
Reverse Current	IR	VR=5V			10	uA
Total Radiated Power*	PO	IF=20mA		1.7		mW
Radiant Intensity**	IE	IF=20mA		18		mW/sr
Brightness	IV	IF=20mA		1800		mcd
Peak Wavelength	λP	IF=20mA	645	655	665	nm
Half Width	Δλ	IF=20mA		20		nm
Viewing Half Angle	θ1/2	IF=20mA		±6		deg

* Measured by Photodyne #500

** Measured by Tektronix J-6512

