

L830-40M32

Stem Type LED with Ball Lens

L830-40M32 is an AlGaAs LED mounted on a TO-18 stem with a ball glass lens. It is designed for high beam use. On forward bias, it emits a spectral band of radiation which peaks at 830nm.

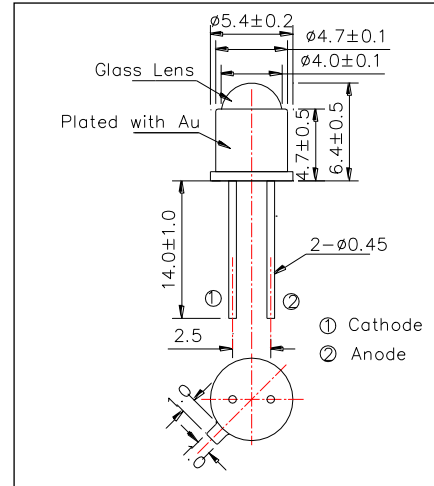
<Features>

- High Radiated Intensity
- High Reliability

<Specifications>

1. Product Name: Infrared LED Lamp
2. Type Number: L830-40M32
3. Chip:
 - Chip material: AlGaAs
 - Peak Wavelength: 830nm
4. Package
 - Type: TO-18 Stem
 - Lens: Ball Glass Lens
 - Cap: Gold Plated

Outer Dimension (Unit:mm)



Absolute Maximum Ratings [Ta=25°C]			
Item	Symbol	Maximum Rated Value	Unit
Power Dissipation	PD	170	mW
Forward Current	IF	100	mA
Pulse Forward Current*	IFP	500	mA
Reverse Voltage	VR	5	V
Operating Temperature	TOPR	-30 ~ +80	°C
Storage Temperature	TSTG	-30 ~ +100	°C
Soldering Temperature**	TSOL	260	°C

* Duty=1% and Pulse Width=10µs.

** Soldering condition must be completed within 3 second at 260 °C.

Electro-Optical Characteristics [Ta=25°C]						
Item	Symbol	Condition	Minimum	Typical	Maximum	Unit
Forward Voltage	VF	IF=50mA		1.60	1.80	V
Reverse Current	IR	VR=5V			10	uA
Total Radiated Power*	PO	IF=50mA	8	13		mW
Radiant Intensity**	IE	IF=50mA		40		mW/sr
Peak Wavelength	λP	IF=50mA	815	830	845	nm
Half Width	Δλ	IF=50mA		35		nm
Viewing Half Angle	θ1/2	IF=50mA		± 10		deg
Rise Time	tr	IF=50mA		60		ns
Fall Time	tf	IF=50mA		40		ns

* Measured by Photodyne #500

** Measured by Tektronix J-6512

