

L880-40D32-I

Stem Type LED with Glass Ball Lens

L880-40D32-I is an AlGaAs LED mounted on a TO-46 3pins stem with glass ball lens. And the electrodes are isolated from case. On forward bias it emits a spectral band of radiation which peaks at 885nm.

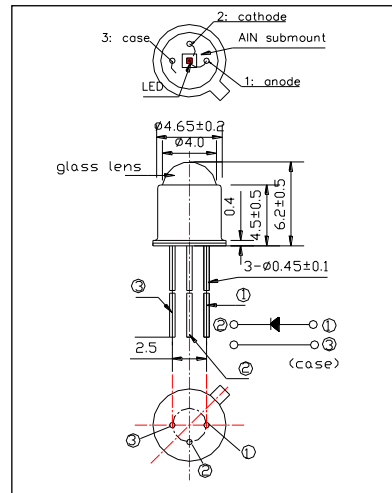
<Features>

- High Power
- High Reliability

<Specifications>

1. Product Name: LED Lamp
2. Type Number: L880-40D32-I
3. Chip:
 - Chip material: AlGaAs
 - Dimension: 400um x 400um
 - Peak Wavelength: 885nm
4. Package
 - Type: TO-46 3pins Stem
 - Lens: Glass Ball Lens
 - Cap: Gold Plated

Outer Dimension (Unit:mm)



| Absolute Maximum Ratings[Ta=25°C] | | | |
|-----------------------------------|--------|---------------------|------|
| Item | Symbol | Maximum Rated Value | Unit |
| Power Dissipation | PD | 160 | mW |
| Forward Current | IF | 100 | mA |
| Pulse Forward Current* | IFP | 1000 | mA |
| Reverse Voltage | VR | 5 | V |
| Junction Temperature | Tj | 135 | °C |
| Thermal Resistance | Rthja | 260 | K/W |
| Operating Temperature | TOPR | -40 ~ +85 | °C |
| Storage Temperature | TSTG | -40 ~ +100 | °C |
| Soldering Temperature** | TSOL | 265 | °C |

* Duty=1% and Pulse Width=10μs.

** Soldering condition must be completed within 3 second at 265 °C.

| Electro-Optical Characteristics[Ta=25°C] | | | | | | |
|--|--------|-----------|------|------|------|-------|
| Item | Symbol | Condition | Min. | Typ. | Max. | Unit |
| Forward Voltage | VF | IF=50mA | | 1.45 | 1.55 | V |
| Reverse Current | IR | VR=5V | | | 10 | uA |
| Total Radiated Power* | PO | IF=50mA | | 13 | | mW |
| Radiant Intensity** | IE | IF=50mA | | 38 | | mW/sr |
| Peak Wavelength | λP | IF=50mA | 875 | 885 | 895 | nm |
| Half Width | Δλ | IF=50mA | | 45 | | nm |
| Viewing Half Angle | θ1/2 | IF=50mA | | ±15 | | deg |
| Rise Time | tr | IF=50mA | | 15 | | ns |
| Fall Time | tf | IF=50mA | | 10 | | ns |

* Measured by S3584-08

** Measured by Tektronix J-6512

