

L890-40D32-I

Stem Type LED with Glass Ball Lens

L890-40D32-I is an AlGaAs LED mounted on a TO-46 3pins stem with glass ball lens. And the electrodes are isolated from case. On forward bias it emits a spectral band of radiation which peaks at 885nm.

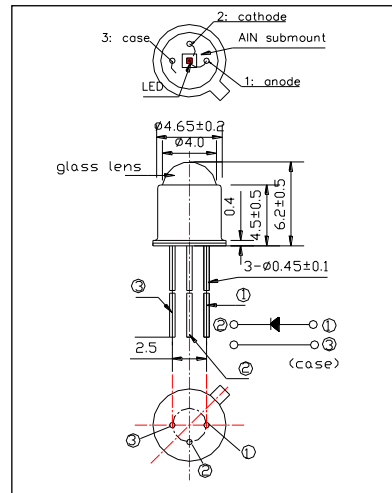
<Features>

- High Power
- High Reliability

<Specifications>

1. Product Name: LED Lamp
2. Type Number: L890-40D32-I
3. Chip:
 - Chip material: AlGaAs
 - Dimension: 400um x 400um
 - Peak Wavelength: 885nm
4. Package
 - Type: TO-46 3pins Stem
 - Lens: Glass Ball Lens
 - Cap: Gold Plated

Outer Dimension (Unit:mm)



Absolute Maximum Ratings[Ta=25°C]			
Item	Symbol	Maximum Rated Value	Unit
Power Dissipation	PD	150	mW
Forward Current	IF	100	mA
Pulse Forward Current*	IFP	500	mA
Reverse Voltage	VR	5	V
Junction Temperature	Tj	135	°C
Thermal Resistance	Rthja	260	K/W
Operating Temperature	TOPR	-40 ~ +85	°C
Storage Temperature	TSTG	-40 ~ +100	°C
Soldering Temperature**	TSOL	265	°C

* Duty=1% and Pulse Width=10μs.

** Soldering condition must be completed within 3 second at 265 °C.

Electro-Optical Characteristics[Ta=25°C]						
Item	Symbol	Condition	Min.	Typ.	Max.	Unit
Forward Voltage	VF	IF=50mA		1.45	1.70	V
Reverse Current	IR	VR=5V			10	uA
Total Radiated Power*	PO	IF=50mA		9		mW
Radiant Intensity**	IE	IF=50mA		21		mW/sr
Peak Wavelength	λP	IF=50mA	875	885	895	nm
Half Width	Δλ	IF=50mA		50		nm
Viewing Half Angle	θ1/2	IF=50mA		±14		deg
Rise Time	tr	IF=50mA		800		ns
Fall Time	tf	IF=50mA		400		ns

* Measured by S3584-08

** Measured by Tektronix J-6512

