

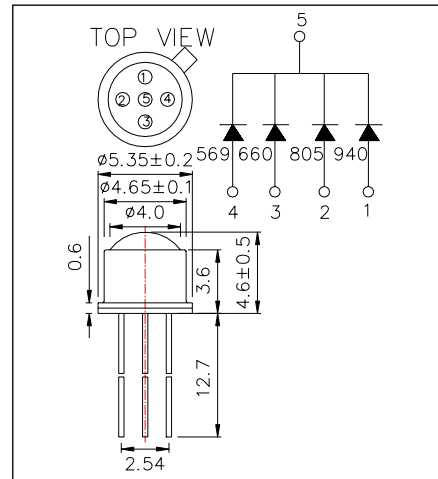
**L569/660/805/940-35B42**  
Multi-Wavelength LED

This product consists of InGaAlAs(569nm), AlGaAs(660,805nm) and GaAs(940nm) LED mounted on TO-18 stem with an unspherical glass lens.

<Specifications>

1. Product Name: Multi-Wavelength LED Lamp
2. Type Number: L569/660/805/940-35B42
3. Chip:
  - Chip material: InGaAlP, AlGaAs and GaAs
  - Peak Wavelength: 569,660,805,940nm
4. Package:
  - Stem: TO-18, 5pins type
  - Lens: Φ5mm Unspherical Glass

Outer Dimension (Unit:mm)



Absolute Maximum Ratings[Ta=25°C]						
Item	Symbol	Maximum Rated Value				Unit
		569	660	805	940	
Power Dissipation	PD	110	120	170	140	mW
Forward Current	IF	50	50	100	100	mA
Pulse Forward Current	IFP	1000	200	500	1000	mA
Reverse Voltage	VR	5				V
Operating Temperature	TOPR	-20 ~ +80				°C
Storage Temperature	TSTG	-30 ~ +100				°C
Soldering Temperature*	TSOL	240				°C

\* Soldering condition must be completed within 3 seconds at 240°C and it is allowed in the area apart 3mm from the bottom of the lamp.

Electro-Optical Characteristics [Ta=25°C]															
Item	Symbol	Condition	Minimum				Typical				Maximum				Unit
			569	660	805	940	569	660	805	940	569	660	805	940	
Forward Voltage	VF	IF=20mA					2.0	1.9	1.5	1.2	2.3	2.2	1.7	1.3	V
Reverse Current	IR	VR=5V									10				uA
T. Radiated Power*	PO	IF=20mA					0.08	2.9	3.5	2.5					mW
Peak Wavelength	λP	IF=20mA	564	650	795	935	569	660	805	940	575	670	915	955	nm
Half Width	Δλ	IF=20mA					15	20	30	45					nm

\* Measured by Photodyne #500

