

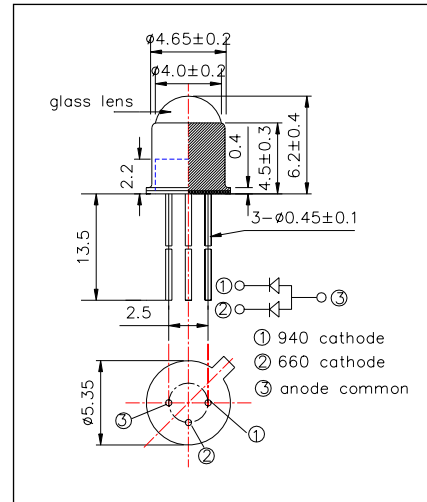
L660/940-40D32
Multi-Wavelength LED

This product consists of AlGaAs(660,940nm) LED mounted on TO-18 stem with a glass ball lens. On forward bias it emits a spectral band of radiation, which peaks at 660nm and 940nm without sub-peak.

<Specifications>

1. Product Name: Multi-Wavelength LED Lamp
2. Type Number: L660/940-40D32
3. Chip:
 - Chip material: AlGaAs, GaAs
 - Dimension: 350um(660nm), 400um(940nm)
 - Peak Wavelength: 660,940nm
4. Package:
 - Stem: TO-18, 3pins type
 - Lens: Φ5mm Glass Ball Lens

Outer Dimension (Unit:mm)



Absolute Maximum Ratings[Ta=25°C]				
Item	Symbol	Maximum Rated Value		Unit
		660	940	
Power Dissipation	PD	120	140	mW
Forward Current	IF	50	100	mA
Pulse Forward Current	IFP	200	500	mA
Reverse Voltage	VR	5		V
Operating Temperature	TOPR	-20 ~ +80		°C
Storage Temperature	TSTG	-30 ~ +100		°C
Soldering Temperature*	TSOL	240		°C

* Soldering condition must be completed within 3 seconds at 240°C and it is allowed in the area apart 3mm from the bottom of the lamp.

Electro-Optical Characteristics [Ta=25°C]									
Item	Symbol	Condition	Minimum		Typical		Maximum		Unit
			660	940	660	940	660	940	
Forward Voltage	VF	IF=20mA			1.9	1.2	2.2	1.3	V
Reverse Current	IR	VR=5V					10		uA
T. Radiated Power*	PO	IF=20mA			1.3	2.5			mW
Radiant Intensity**	IE	IF=20mA			13.0	20.0			mW/sr
Peak Wavelength	λP	IF=20mA	650	935	660	940	670	955	nm
Half Width	Δλ	IF=20mA			20	45			nm

* Measured by Photodyne #500
** Measured by Tektronix J-6512

