

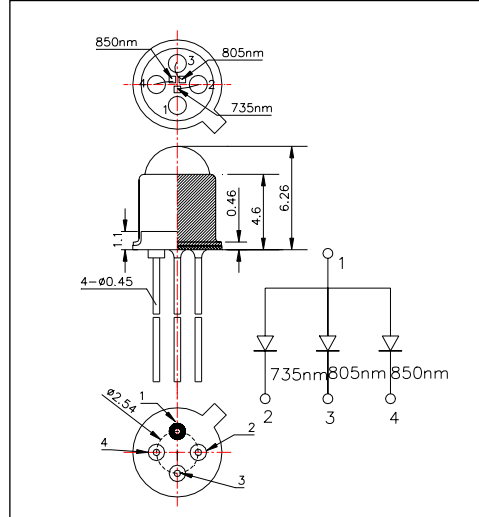
L735/805/850-40C32
Multi-Wavelength LED

This product consists of AlGaAs(735,805,850nm) LED mounted on TO-18 4pins type stem with a glass lens. Chips are connected as anode common.

<Specifications>

1. Product Name: Multi-Wavelength LED Lamp
2. Type Number: L735/805/850-40C32
3. Chip:
 - Chip material: AlGaAs
 - Peak Wavelength: 735,805,850nm
4. Package:
 - Stem: TO-18, 4pins type
 - Lens: Φ5mm Spherical Glass

Outer Dimension (Unit:mm)



Absolute Maximum Ratings[Ta=25°C]					
Item	Symbol	Maximum Rated Value			Unit
		735	805	850	
Power Dissipation	PD	180	170	160	mW
Forward Current	IF	75	100	100	mA
Pulse Forward Current	IFP	200	300	500	mA
Reverse Voltage	VR	5			V
Operating Temperature	TOPR	-20 ~ +80			°C
Storage Temperature	TSTG	-30 ~ +100			°C
Soldering Temperature*	TSOL	240			°C

* Soldering condition must be completed within 3 seconds at 240°C and it is allowed in the area apart 3mm from the bottom of the lamp.

Electro-Optical Characteristics [Ta=25°C]												
Item	Symbol	Condition	Minimum			Typical			Maximum			Unit
			735	805	850	735	805	850	735	805	850	
Forward Voltage	VF	IF=50mA				1.85	1.60	1.55	2.30	1.80	1.70	V
Reverse Current	IR	VR=5V							10			uA
T. Radiated Power*	PO	IF=50mA	5.0	5.0	5.0	9.0	9.0	9.0				mW
Peak Wavelength	λ P	IF=50mA	710	790	835	735	805	850	755	820	865	nm
Half Width	Δλ	IF=50mA				40	40	40				nm

* Measured by Photodyne #500

