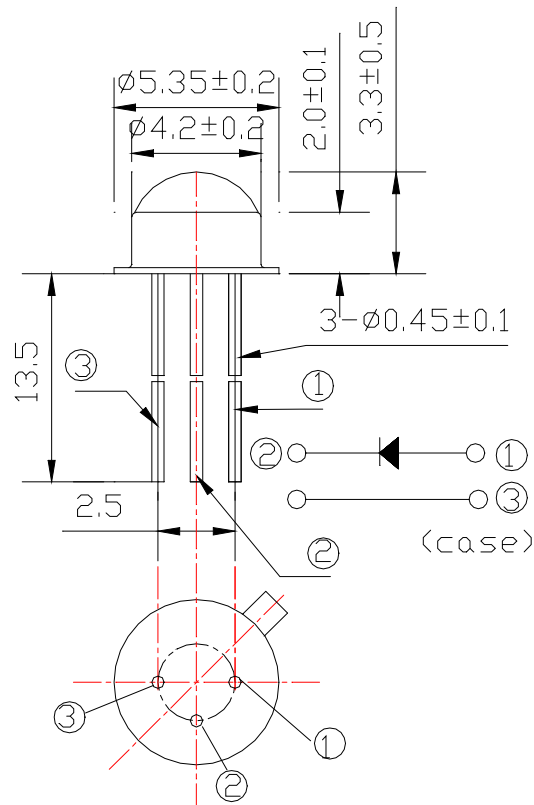


# PD1300T-35D00-I

## Stem Type Photodiode



(Unit : mm)

### Features

- Chip Material : InGaAs
- Chip Dimension : 380um \* 380um
- Number of Chips : 1pc
- Stem: TO-18 type
- Lens : Epoxy Resin

**Absolute Maximum Ratings (Tc=25°C)**

Item	Symbol	Ratings	Unit
Reverse Breakdown Voltage	V(VR)R	20	V
Junction Temperature	T <sub>j</sub>	120	°C
Operating Temperature	T <sub>opr</sub>	-40 ~ +100	°C
Storage Temperature	T <sub>stg</sub>	-40 ~ +100	°C
Soldering Temperature	TSOL	265	°C

‡Pulse Forward Current condition : Duty 1% and Pulse Width=10us.

‡Soldering condition : Soldering condition must be completed with 3 seconds at 265°C.

**Optical and Electrical Characteristics (Tc=25°C)**

(\*: 100% testing, \*\*: reference value)

Parameter	Symbol	Min	Typ	Max	Unit	Test Condition
Photo Responsivity	RE		0.95		A/W	VR=5V** λ <sub>p</sub> =1300nm
			1.00			
Photo Current	IL		18		uA	VR=0V* λ <sub>p</sub> =1300nm
Dark Current	ID			1	nA	VR=5V*
Spectral Responsivity (Peak)	λ <sub>p</sub>		1300		nm	VR=0V**
Half Angle of Sensitivity	θ <sub>1/2</sub>		±60		deg.	VR=0V**
Total Capacitance	CT		4.5		pF	VR=5V** f=1MHz

‡ Measured by USHIO's calibrated tool.

**Disclaimer**

Product specifications and data shown in this product catalog are subject to change without notice for the purposes of improving product performance, reliability, design, or otherwise.

Product data and parameters in this catalog are typical values based on reasonably up-to-date measurements.

Product data and parameters may vary by user application and over time.

Products shown in this catalog are intended to be used for general electronic equipment. Products are not guaranteed for applications where product malfunction or failure may cause personal injury or death, including but not limited to life-supporting / saving devices, medical devices, safety devices, airplanes, aerospace equipment, automobiles, traffic control systems, and nuclear reactor control systems.