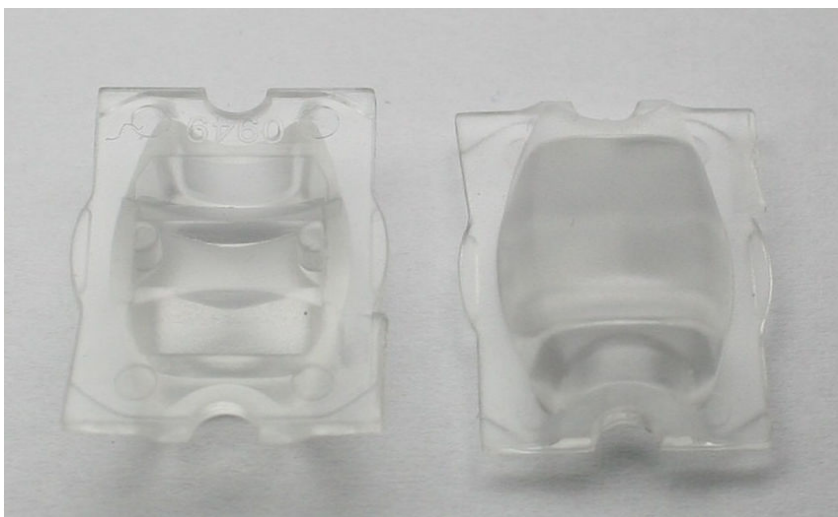


Strada-B2-XP-G LENSES FOR CREE XP-G LEDs



- Specially designed for Cree XP-G series of LEDs.
- New extremely wide street light design with very wide horizontal and vertical angle.
- Special care taken to make a uniform white or warm white illumination. Lenses work well with other colors, too.
- Comes with integrated positioning pins, see drawing below for more details.
- Lens material optical grade PMMA. Allows use of high current and temperature conditions
- Best available optical efficiency, approximately 96%.
- Fastening to heat sink with or without PU foam adhesive tape of automotive grade, please select which suits the best for your needs.

LENS TYPES

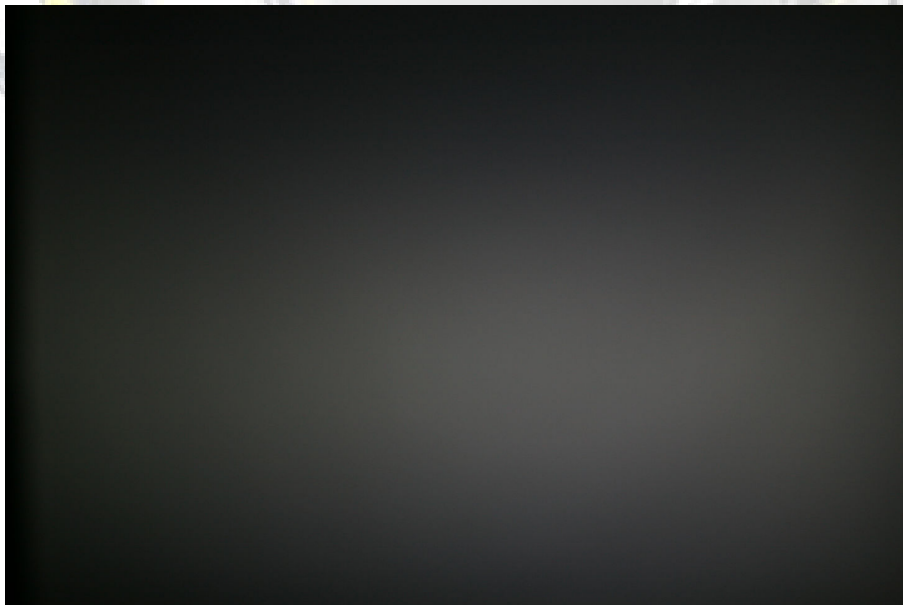
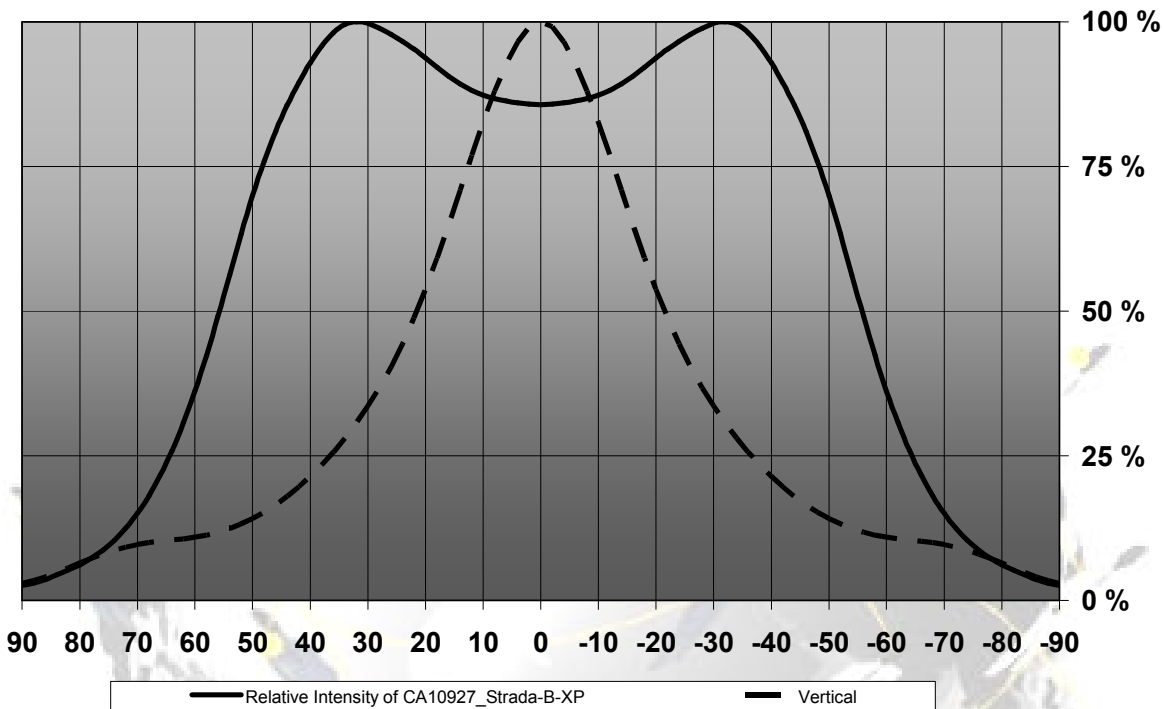
NAME	ORDERING CODE	FWHM Angle
Strada-B2-XP-G	C10949_Strada-B2-XP-G	±56° x ±21.5°
Strada-B2-XP-G-TAPE	CA10950_Strada-B2-XP-G-tape	±56° x ±21.5°

EULUMDAT & IES FILES AVAILABLE BY REQUEST

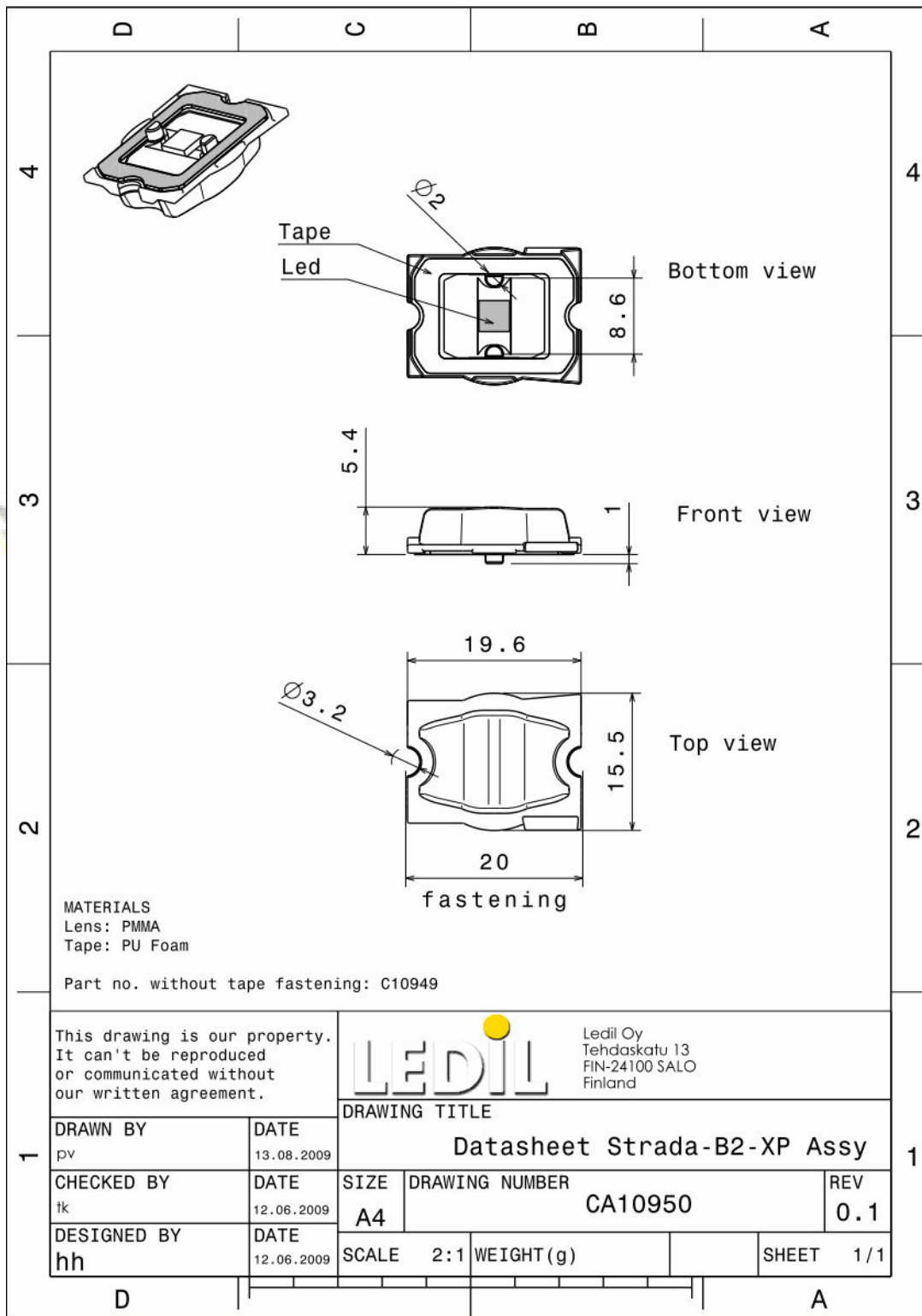
© Ledil Oy – PRELIMINARY - Subject to change without prior notice

MEASUREMENT DATA

Relative Intensity of CA10927_Strada-B-XP



DRAWINGS



© Ledil Oy - PRELIMINARY - Subject to change without prior notice