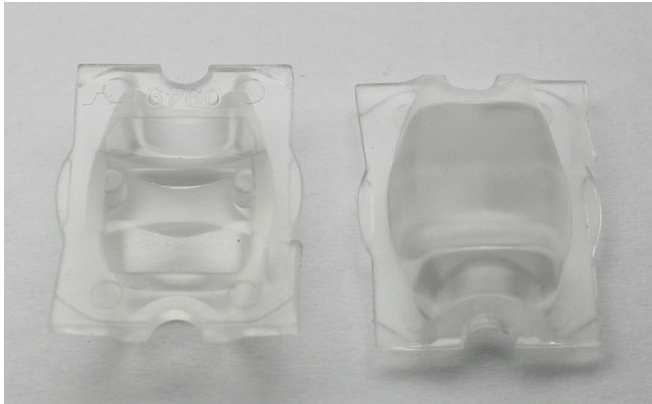
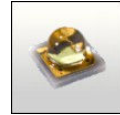


STRADA-B2-OSL LENS FOR OSRAM Oslon SSL series of LEDs



OSRAM
www.osram.com



C10949_Strada-B2-OSL

- Specially designed for Osram-os Oslon SSL series of LEDs.
- New extremely wide street light design with very wide horizontal and vertical angle.
- Special care taken to make a uniform white or warm white illumination. Lenses work well with other colors, too.
- Comes with integrated positioning pins, see drawing below for more details.
- Lens material optical grade PMMA. Allows use of high current and temperature conditions
- Best available optical efficiency, approximately 96%.
- Fastening to heat sink with positioning pins or with PU foam adhesive tape of automotive grade, please select which suits the best for your needs.

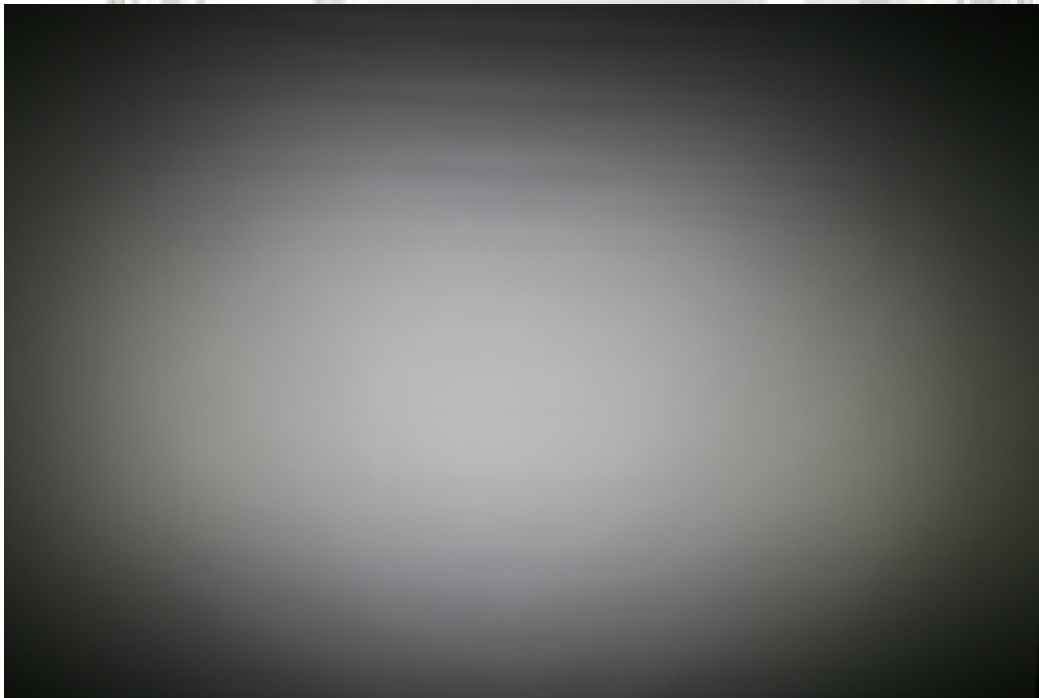
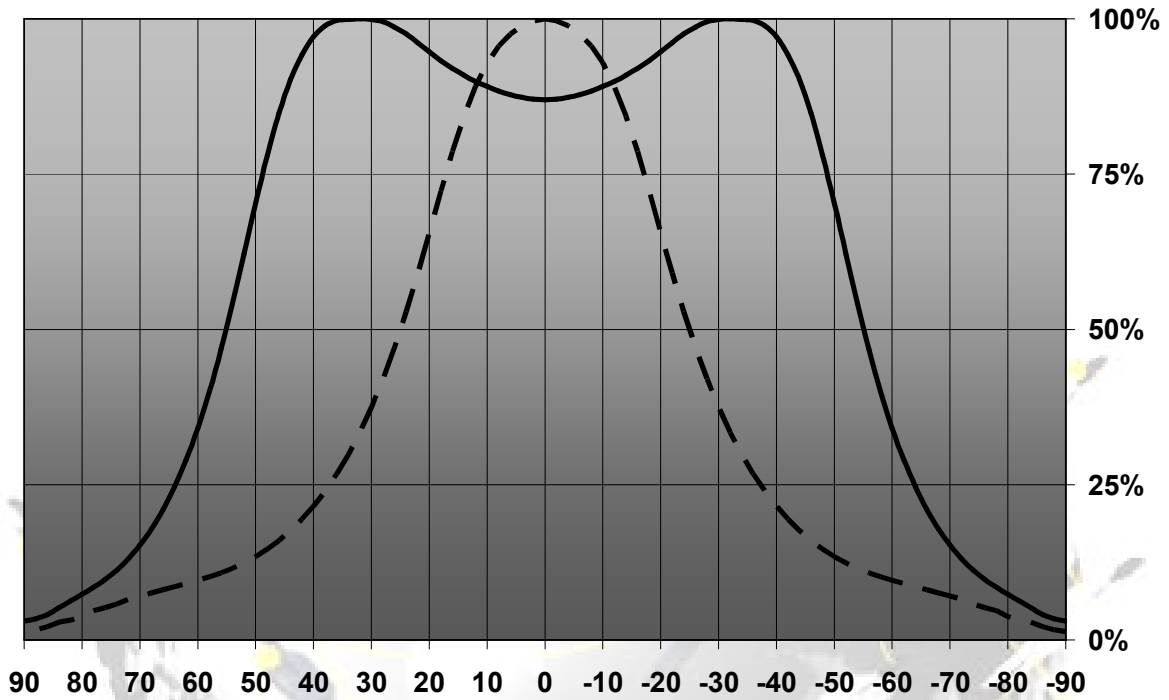
LENS TYPES

NAME	ORDERING CODE	FWHM Angle
Strada-B2-OSL	C10949_Strada-B2-OSL	$\pm 55^\circ \times \pm 25^\circ$
Strada-B2-OSL-tape	CA10950_Strada-B2-OSL-tape	$\pm 55^\circ \times \pm 25^\circ$

© Ledil Oy – PRELIMINARY - Subject to change without prior notice

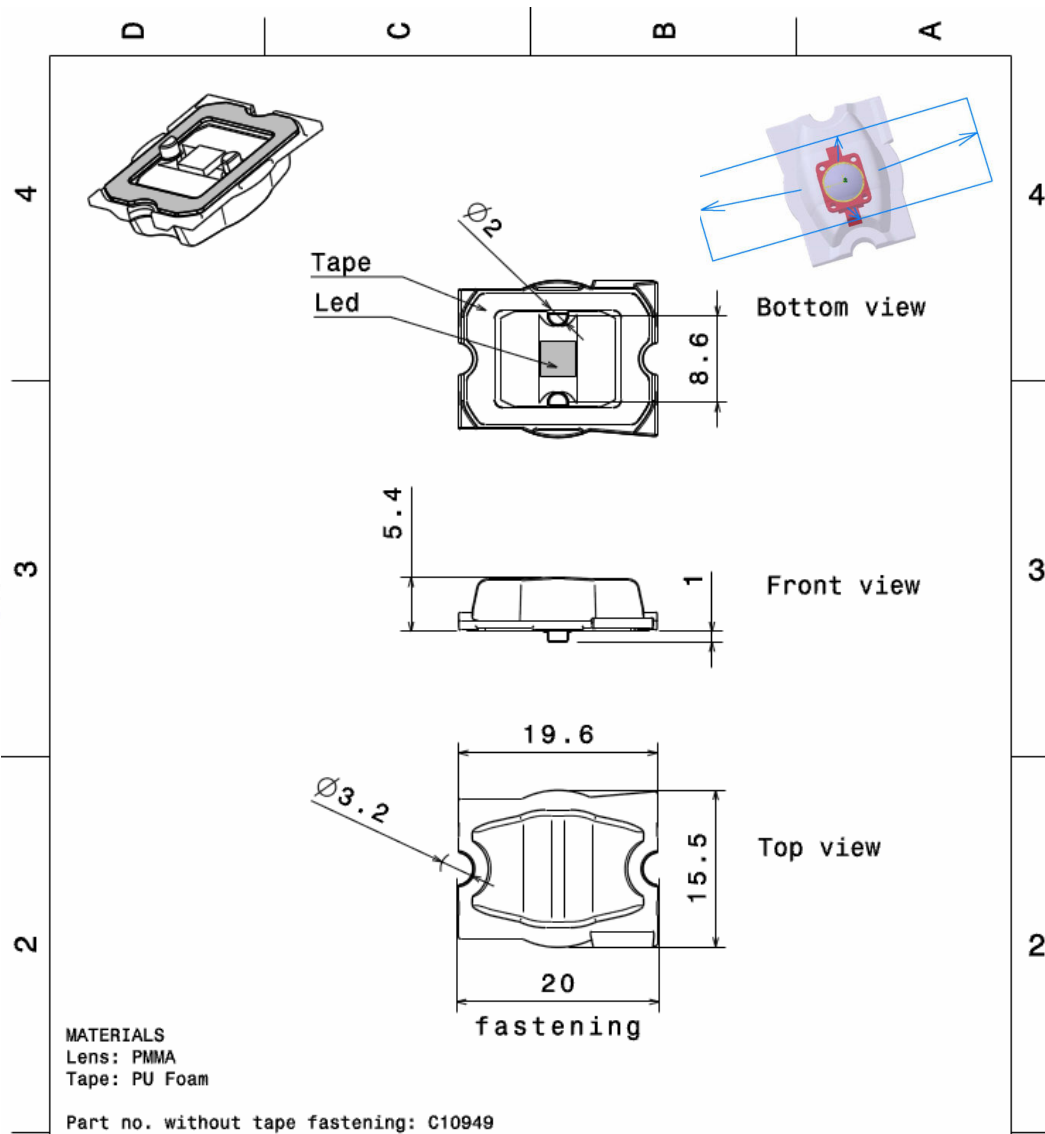
MEASUREMENT DATA

Relative Intensity of C10949_Strada-B2-OSL



© Ledil Oy – PRELIMINARY - Subject to change without prior notice

DRAWINGS



This drawing is our property.
 It can't be reproduced
 or communicated without
 our written agreement.



Ledil Oy
 Tehdaskatu 13
 FIN-24100 SALO
 Finland

DRAWN BY pv		DATE 13.08.2009		DRAWING TITLE Datasheet Strada-B2-OSL Assy		
CHECKED BY tk		DATE 12.06.2009		SIZE A4	DRAWING NUMBER CA10950	REV 0.1
DESIGNED BY hh		DATE 12.06.2009		SCALE 2:1	WEIGHT (g)	SHEET 1/1

EULUMDAT & IES FILES AVAILABLE BY REQUEST

© Ledil Oy – PRELIMINARY - Subject to change without prior notice